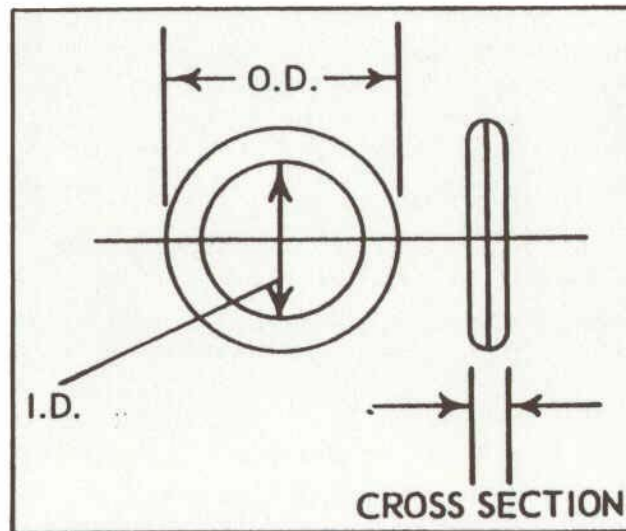


GLOBAL

O-RINGS

For the Maintenance Industry

- Superior resistance to oil, gas, transmission fluids, hydraulic fluids and coolants
- Contains no excess flashing or foreign materials that result in weak spots, distortion and out-of-round conditions
- Exceeds Industrial Standards by 50% for compression set to reduce leakage problems



AS568 SIZING CHART

AS568A Dash No.	NOMINAL SIZE (Inch)			Actual Size (Inch)		Actual Size (In mm's)	
	I.D.	O.D.	W.	I.D.	W.	I.D.	W.
-001	1/32	3/32	1/32	.029±.004	.040±.003	0.74±0.10	1.02±0.08
-002	3/64	9/64	3/64	.042±.004	.050±.003	1.07±0.10	1.27±0.08
-003	1/16	3/16	1/16	.056±.004	.060±.003	1.42±0.10	1.52±0.08
-004	5/64	13/64	1/16	.070±.005	.070±.003	1.78±0.13	1.78±0.08
-005	3/32	7/32	1/16	.101±.005	.070±.003	2.57±0.13	1.78±0.08
-006	1/8	1/4	1/16	.114±.005	.070±.003	2.90±0.13	1.78±0.08
-007	5/32	9/32	1/16	.145±.005	.070±.003	3.68±0.13	1.78±0.08
-008	3/16	5/16	1/16	.176±.005	.070±.003	4.47±0.13	1.78±0.08
-009	7/32	11/32	1/16	.208±.005	.070±.003	5.28±0.13	1.78±0.08
-010	1/4	3/8	1/16	.239±.005	.070±.003	6.07±0.13	1.78±0.08
-011	5/16	7/16	1/16	.301±.005	.070±.003	7.65±0.13	1.78±0.08
-012	3/8	1/2	1/16	.364±.005	.070±.003	9.25±0.13	1.78±0.08
-013	7/16	9/16	1/16	.426±.005	.070±.003	10.82±0.13	1.78±0.08
-014	1/2	5/8	1/16	.489±.005	.070±.003	12.42±0.13	1.78±0.08
-015	9/16	11/16	1/16	.551±.007	.070±.003	14.00±0.18	1.78±0.08
-016	5/8	3/4	1/16	.614±.009	.070±.003	15.60±0.23	1.78±0.08
-017	11/16	13/16	1/16	.676±.009	.070±.003	17.17±0.23	1.78±0.08
-018	3/4	7/8	1/16	.739±.009	.070±.003	18.77±0.23	1.78±0.08
-019	13/16	15/16	1/16	.801±.009	.070±.003	20.35±0.23	1.78±0.08
-020	7/8	1	1/16	.864±.009	.070±.003	21.95±0.23	1.78±0.08
-021	15/16	1-1/16	1/16	.926±.009	.070±.003	23.52±0.23	1.78±0.08
-022	1	1-1/8	1/16	.989±.010	.070±.003	25.12±0.25	1.78±0.08
-023	1-1/16	1-3/16	1/16	1.051±.010	.070±.003	26.70±0.25	1.78±0.08
-024	1-1/8	1-1/4	1/16	1.114±.010	.070±.003	28.30±0.25	1.78±0.08
-025	1-3/16	1-5/16	1/16	1.176±.011	.070±.003	29.87±0.28	1.78±0.08
-026	1-1/4	1-3/8	1/16	1.239±.011	.070±.003	31.47±0.28	1.78±0.08
-027	1-5/16	1-7/16	1/16	1.301±.011	.070±.003	33.05±0.28	1.78±0.08
-028	1-3/8	1-1/2	1/16	1.364±.013	.070±.003	34.65±0.33	1.78±0.08
-029	1-1/2	1-5/8	1/16	1.489±.013	.070±.003	37.82±0.33	1.78±0.08
-030	1-5/8	1-3/4	1/16	1.614±.013	.070±.003	41.00±0.33	1.78±0.08
-031	1-3/4	1-7/8	1/16	1.739±.015	.070±.003	44.17±0.38	1.78±0.08
-032	1-7/8	2	1/16	1.864±.015	.070±.003	47.35±0.38	1.78±0.08
-033	2	2-1/8	1/16	1.989±.018	.070±.003	50.52±0.46	1.78±0.08
-034	2-1/8	2-1/4	1/16	2.114±.018	.070±.003	53.70±0.46	1.78±0.08
-035	2-1/4	2-3/8	1/16	2.239±.018	.070±.003	56.87±0.46	1.78±0.08
-036	2-3/8	2-1/2	1/16	2.364±.018	.070±.003	60.05±0.46	1.78±0.08
-037	2-1/2	2-5/8	1/16	2.489±.018	.070±.003	63.22±0.46	1.78±0.08
-038	2-5/8	2-3/4	1/16	2.614±.020	.070±.003	66.40±0.51	1.78±0.08
-039	2-3/4	2-7/8	1/16	2.739±.020	.070±.003	69.57±0.51	1.78±0.08
-040	2-7/8	3	1/16	2.864±.020	.070±.003	72.75±0.51	1.78±0.08
-041	3	3-1/8	1/16	2.989±.024	.070±.003	75.92±0.61	1.78±0.08
-042	3-1/4	3-3/8	1/16	3.239±.024	.070±.003	82.27±0.61	1.78±0.08
-043	3-1/2	3-5/8	1/16	3.489±.024	.070±.003	88.62±0.61	1.78±0.08
-044	3-3/4	3-7/8	1/16	3.739±.027	.070±.003	94.97±0.69	1.78±0.08
-045	4	4-1/8	1/16	3.989±.027	.070±.003	101.32±0.69	1.78±0.08
-046	4-1/4	4-3/8	1/16	4.239±.030	.070±.003	107.67±0.76	1.78±0.08
-047	4-1/2	4-5/8	1/16	4.489±.030	.070±.003	114.02±0.76	1.78±0.08
-048	4-3/4	4-7/8	1/16	4.739±.030	.070±.003	120.37±0.76	1.78±0.08
-049	5	5-1/8	1/16	4.989±.037	.070±.003	126.72±0.94	1.78±0.08
-050	5-1/4	5-3/8	1/16	5.239±.037	.070±.003	133.07±0.94	1.78±0.08
-102	1/16	1/4	3/32	.049±.005	.103±.003	1.24±0.13	2.62±0.08
-103	3/32	9/32	3/32	.081±.005	.103±.003	2.06±0.13	2.62±0.08

AS568 SIZING CHART

AS568A Dash No.	NOMINAL SIZE (Inch)			Actual Size (Inch)		Actual Size (In mm's)	
	I.D.	O.D.	W.	I.D.	W.	I.D.	W.
-104	1/8	5/16	3/32	.112±.005	.103±.003	2.84±0.13	2.62±0.08
-105	5/32	11/32	3/32	.143±.005	.103±.003	3.63±0.13	2.62±0.08
-106	3/16	3/8	3/32	.174±.005	.103±.003	4.42±0.13	2.62±0.08
-107	7/32	13/32	3/32	.206±.005	.103±.003	5.23±0.13	2.62±0.08
-108	1/4	7/16	3/32	.237±.005	.103±.003	6.02±0.13	2.62±0.08
-109	5/16	1/2	3/32	.299±.005	.103±.003	7.59±0.13	2.62±0.08
-110	3/8	9/16	3/32	.362±.005	.103±.003	9.19±0.13	2.62±0.08
-111	7/16	5/8	3/32	.424±.005	.103±.003	10.77±0.13	2.62±0.08
-112	1/2	11/16	3/32	.487±.005	.103±.003	12.37±0.13	2.62±0.08
-113	9/16	3/4	3/32	.549±.007	.103±.003	13.94±0.18	2.62±0.08
-114	5/8	13/16	3/32	.612±.009	.103±.003	15.54±0.23	2.62±0.08
-115	11/16	7/8	3/32	.674±.009	.103±.003	17.12±0.23	2.62±0.08
-116	3/4	15/16	3/32	.737±.009	.103±.003	18.72±0.23	2.62±0.08
-117	13/16	1	3/32	.799±.010	.103±.003	20.30±0.25	2.62±0.08
-118	7/8	1-1/16	3/32	.862±.010	.103±.003	21.89±0.25	2.62±0.08
-119	15/16	1-1/8	3/32	.924±.010	.103±.003	23.47±0.25	2.62±0.08
-120	1	1-3/16	3/32	.987±.010	.103±.003	25.07±0.25	2.62±0.08
-121	1-1/16	1-1/4	3/32	1.049±.010	.103±.003	26.64±0.25	2.62±0.08
-122	1-1/8	1-5/16	3/32	1.112±.010	.103±.003	28.24±0.25	2.62±0.08
-123	1-3/16	1-3/8	3/32	1.174±.012	.103±.003	29.82±0.30	2.62±0.08
-124	1-1/4	1-7/16	3/32	1.237±.012	.103±.003	31.42±0.30	2.62±0.08
-125	1-5/16	1-1/2	3/32	1.299±.012	.103±.003	32.99±0.30	2.62±0.08
-126	1-3/8	1-9/16	3/32	1.362±.012	.103±.003	34.59±0.30	2.62±0.08
-127	1-7/16	1-5/8	3/32	1.424±.012	.103±.003	36.17±0.30	2.62±0.08
-128	1-1/2	1-11/16	3/32	1.487±.012	.103±.003	37.77±0.30	2.62±0.08
-129	1-9/16	1-3/4	3/32	1.549±.015	.103±.003	39.34±0.38	2.62±0.08
-130	1-5/8	1-13/16	3/32	1.612±.015	.103±.003	40.94±0.38	2.62±0.08
-131	1-11/16	1-7/8	3/32	1.674±.015	.103±.003	42.52±0.38	2.62±0.08
-132	1-3/4	1-15/16	3/32	1.737±.015	.103±.003	44.12±0.38	2.62±0.08
-133	1-13/16	2	3/32	1.799±.015	.103±.003	45.69±0.38	2.62±0.08
-134	1-7/8	2-1/16	3/32	1.862±.015	.103±.003	47.30±0.38	2.62±0.08
-135	1-15/16	2-1/8	3/32	1.925±.017	.103±.003	48.90±0.43	2.62±0.08
-136	2	2-3/16	3/32	1.987±.017	.103±.003	50.47±0.43	2.62±0.08
-137	2-1/16	2-1/4	3/32	2.050±.017	.103±.003	52.07±0.43	2.62±0.08
-138	2-1/8	2-5/16	3/32	2.112±.017	.103±.003	53.64±0.43	2.62±0.08
-139	2-3/16	2-3/8	3/32	2.175±.017	.103±.003	55.25±0.43	2.62±0.08
-140	2-1/4	2-7/16	3/32	2.237±.017	.103±.003	56.82±0.43	2.62±0.08
-141	2-5/16	2-1/2	3/32	2.300±.020	.103±.003	58.42±0.51	2.62±0.08
-142	2-3/8	2-9/16	3/32	2.362±.020	.103±.003	59.99±0.51	2.62±0.08
-143	2-7/16	2-5/8	3/32	2.425±.020	.103±.003	61.60±0.51	2.62±0.08
-144	2-1/2	2-11/16	3/32	2.487±.020	.103±.003	63.17±0.51	2.62±0.08
-145	2-9/16	2-3/4	3/32	2.550±.020	.103±.003	64.77±0.51	2.62±0.08
-146	2-5/8	2-13/16	3/32	2.612±.020	.103±.003	66.34±0.51	2.62±0.08
-147	2-11/16	2-7/8	3/32	2.675±.022	.103±.003	67.95±0.56	2.62±0.08
-148	2-3/4	2-15/16	3/32	2.737±.022	.103±.003	69.52±0.56	2.62±0.08
-149	2-13/16	3	3/32	2.800±.022	.103±.003	71.12±0.56	2.62±0.08
-150	2-7/8	3-1/16	3/32	2.862±.022	.103±.003	72.69±0.56	2.62±0.08
-151	3	3-3/16	3/32	2.987±.024	.103±.003	75.87±0.61	2.62±0.08
-152	3-1/4	3-7/16	3/32	3.237±.024	.103±.003	82.22±0.61	2.62±0.08
-153	3-1/2	3-11/16	3/32	3.487±.024	.103±.003	88.57±0.61	2.62±0.08
-154	3-3/4	3-15/16	3/32	3.737±.028	.103±.003	94.92±0.71	2.62±0.08
-155	4	4-3/16	3/32	3.987±.028	.103±.003	101.27±0.71	2.62±0.08
-156	4-1/4	4-7/16	3/32	4.237±.030	.103±.003	107.62±0.76	2.62±0.08

AS568 SIZING CHART

AS568A Dash No.	NOMINAL SIZE (Inch)			Actual Size (Inch)		Actual Size (In mm's)	
	I.D.	O.D.	W.	I.D.	W.	I.D.	W.
-157	4-1/2	4-11/16	3/32	4.487±.030	.103±.003	113.97±0.76	2.62±0.08
-158	4-3/4	4-15/16	3/32	4.737±.030	.103±.003	120.32±0.76	2.62±0.08
-159	5	5-3/16	3/32	4.987±.035	.103±.003	126.67±0.89	2.62±0.08
-160	5-1/4	5-7/16	3/32	5.237±.035	.103±.003	133.02±0.89	2.62±0.08
-161	5-1/2	5-11/16	3/32	5.487±.035	.103±.003	139.37±0.89	2.62±0.08
-162	5-3/4	5-15/16	3/32	5.737±.035	.103±.003	145.72±0.89	2.62±0.08
-163	6	6-3/16	3/32	5.987±.035	.103±.003	152.07±0.89	2.62±0.08
-164	6-1/4	6-7/16	3/32	6.237±.040	.103±.003	158.42±1.02	2.62±0.08
-165	6-1/2	6-11/16	3/32	6.487±.040	.103±.003	164.77±1.02	2.62±0.08
-166	6-3/4	6-15/16	3/32	6.737±.040	.103±.003	171.12±1.02	2.62±0.08
-167	7	7-3/16	3/32	6.987±.040	.103±.003	177.47±1.02	2.62±0.08
-168	7-1/4	7-7/16	3/32	7.237±.045	.103±.003	183.82±1.14	2.62±0.08
-169	7-1/2	7-11/16	3/32	7.487±.045	.103±.003	190.17±1.14	2.62±0.08
-170	7-3/4	7-15/16	3/32	7.737±.045	.103±.003	196.52±1.14	2.62±0.08
-171	8	8-3/16	3/32	7.987±.045	.103±.003	202.87±1.14	2.62±0.08
-172	8-1/4	8-7/16	3/32	8.237±.050	.103±.003	209.22±1.27	2.62±0.08
-173	8-1/2	8-11/16	3/32	8.487±.050	.103±.003	215.57±1.27	2.62±0.08
-174	8-3/4	8-15/16	3/32	8.737±.050	.103±.003	221.92±1.27	2.62±0.08
-175	9	9-3/16	3/32	8.987±.050	.103±.003	228.27±1.27	2.62±0.08
-176	9-1/4	9-7/16	3/32	9.237±.055	.103±.003	234.62±1.40	2.62±0.08
-177	9-1/2	9-11/16	3/32	9.487±.055	.103±.003	240.97±1.40	2.62±0.08
-178	9-3/4	9-15/16	3/32	9.737±.055	.103±.003	247.32±1.40	2.62±0.08
-201	3/16	7/16	1/8	.171±.005	.139±.004	4.34±0.13	3.53±0.10
-202	1/4	1/2	1/8	.234±.005	.139±.004	5.94±0.13	3.53±0.10
-203	5/16	9/16	1/8	.296±.005	.139±.004	7.52±0.13	3.53±0.10
-204	3/8	5/8	1/8	.359±.005	.139±.004	9.12±0.13	3.53±0.10
-205	7/16	11/16	1/8	.421±.005	.139±.004	10.69±0.13	3.53±0.10
-206	1/2	3/4	1/8	.484±.005	.139±.004	12.29±0.13	3.53±0.10
-207	9/16	13/16	1/8	.546±.007	.139±.004	13.87±0.17	3.53±0.10
-208	5/8	7/8	1/8	.609±.009	.139±.004	15.47±0.23	3.53±0.10
-209	11/16	15/16	1/8	.671±.009	.139±.004	17.04±0.23	3.53±0.10
-210	3/4	1	1/8	.734±.010	.139±.004	18.64±0.25	3.53±0.10
-211	13/16	1-1/16	1/8	.796±.010	.139±.004	20.22±0.25	3.53±0.10
-212	7/8	1-1/8	1/8	.859±.010	.139±.004	21.82±0.25	3.53±0.10
-213	15/16	1-3/16	1/8	.921±.010	.139±.004	23.39±0.25	3.53±0.10
-214	1	1-1/4	1/8	.984±.010	.139±.004	25.00±0.25	3.53±0.10
-215	1-1/16	1-5/16	1/8	1.046±.010	.139±.004	26.57±0.25	3.53±0.10
-216	1-1/8	1-3/8	1/8	1.109±.012	.139±.004	28.17±0.30	3.53±0.10
-217	1-3/16	1-7/16	1/8	1.171±.012	.139±.004	29.74±0.30	3.53±0.10
-218	1-1/4	1-1/2	1/8	1.234±.012	.139±.004	31.34±0.30	3.53±0.10
-219	1-5/16	1-9/16	1/8	1.296±.012	.139±.004	32.92±0.30	3.53±0.10
-220	1-3/8	1-5/8	1/8	1.359±.012	.139±.004	34.52±0.30	3.53±0.10
-221	1-7/16	1-11/16	1/8	1.421±.012	.139±.004	36.09±0.30	3.53±0.10
-222	1-1/2	1-3/4	1/8	1.484±.015	.139±.004	37.69±0.38	3.53±0.10
-223	1-5/8	1-7/8	1/8	1.609±.015	.139±.004	40.87±0.38	3.53±0.10
-224	1-3/4	2	1/8	1.734±.015	.139±.004	44.04±0.38	3.53±0.10
-225	1-7/8	2-1/8	1/8	1.859±.018	.139±.004	47.22±0.46	3.53±0.10
-226	2	2-1/4	1/8	1.984±.018	.139±.004	50.39±0.46	3.53±0.10
-227	2-1/16	2-3/8	1/8	2.109±.018	.139±.004	53.57±0.46	3.53±0.10
-228	2-1/4	2-1/2	1/8	2.234±.020	.139±.004	56.74±0.50	3.53±0.10
-229	2-3/8	2-5/8	1/8	2.359±.020	.139±.004	59.92±0.50	3.53±0.10
-230	2-1/2	2-3/4	1/8	2.484±.020	.139±.004	63.09±0.50	3.53±0.10
-231	2-5/8	2-7/8	1/8	2.609±.020	.139±.004	66.27±0.50	3.53±0.10

AS568 SIZING CHART

AS568A Dash No.	NOMINAL SIZE (Inch)			Actual Size (Inch)		Actual Size (In mm's)	
	I.D.	O.D.	W.	I.D.	W.	I.D.	W.
-232	2-3/4	3	1/8	2.734±.024	.139±.004	69.44±0.61	3.53±0.10
-233	2-7/8	3-1/8	1/8	2.859±.024	.139±.004	72.62±0.61	3.53±0.10
-234	3	3-1/4	1/8	2.984±.024	.139±.004	75.79±0.61	3.53±0.10
-235	3-1/8	3-3/8	1/8	3.109±.024	.139±.004	78.97±0.61	3.53±0.10
-236	3-1/4	3-1/2	1/8	3.234±.024	.139±.004	82.14±0.61	3.53±0.10
-237	3-3/8	3-5/8	1/8	3.359±.024	.139±.004	85.32±0.61	3.53±0.10
-238	3-1/2	3-3/4	1/8	3.484±.024	.139±.004	88.49±0.61	3.53±0.10
-239	3-5/8	3-7/8	1/8	3.609±.028	.139±.004	91.67±0.71	3.53±0.10
-240	3-3/4	4	1/8	3.734±.028	.139±.004	94.84±0.71	3.53±0.10
-241	3-7/8	4-1/8	1/8	3.859±.028	.139±.004	98.02±0.71	3.53±0.10
-242	4	4-1/4	1/8	3.984±.028	.139±.004	101.19±0.71	3.53±0.10
-243	4-1/8	4-3/8	1/8	4.109±.028	.139±.004	104.37±0.71	3.53±0.10
-244	4-1/4	4-1/2	1/8	4.234±.030	.139±.004	107.54±0.76	3.53±0.10
-245	4-3/8	4-5/8	1/8	4.359±.030	.139±.004	110.72±0.76	3.53±0.10
-246	4-1/2	4-3/4	1/8	4.484±.030	.139±.004	113.89±0.76	3.53±0.10
-247	4-5/8	4-7/8	1/8	4.609±.030	.139±.004	117.07±0.76	3.53±0.10
-248	4-3/4	5	1/8	4.734±.030	.139±.004	120.24±0.76	3.53±0.10
-249	4-7/8	5-1/8	1/8	4.859±.035	.139±.004	123.42±0.89	3.53±0.10
-250	5	5-1/4	1/8	4.984±.035	.139±.004	126.59±0.89	3.53±0.10
-251	5-1/8	5-3/8	1/8	5.109±.035	.139±.004	129.77±0.89	3.53±0.10
-252	5-1/4	5-1/2	1/8	5.234±.035	.139±.004	132.94±0.89	3.53±0.10
-253	5-3/8	5-5/8	1/8	5.359±.035	.139±.004	136.12±0.89	3.53±0.10
-254	5-1/2	5-3/4	1/8	5.484±.035	.139±.004	139.29±0.89	3.53±0.10
-255	5-5/8	5-7/8	1/8	5.609±.035	.139±.004	142.47±0.89	3.53±0.10
-256	5-3/4	6	1/8	5.734±.035	.139±.004	145.65±0.89	3.53±0.10
-257	5-7/8	6-1/8	1/8	5.859±.035	.139±.004	148.82±0.89	3.53±0.10
-258	6	6-1/4	1/8	5.984±.035	.139±.004	151.99±0.89	3.53±0.10
-259	6-1/4	6-1/2	1/8	6.234±.040	.139±.004	158.34±1.02	3.53±0.10
-260	6-1/2	6-3/4	1/8	6.484±.040	.139±.004	164.69±1.02	3.53±0.10
-261	6-3/4	7	1/8	6.734±.040	.139±.004	171.04±1.02	3.53±0.10
-262	7	7-1/4	1/8	6.984±.040	.139±.004	177.39±1.02	3.53±0.10
-263	7-1/4	7-1/2	1/8	7.234±.045	.139±.004	183.74±1.14	3.53±0.10
-264	7-1/2	7-3/4	1/8	7.484±.045	.139±.004	190.09±1.14	3.53±0.10
-265	7-3/4	8	1/8	7.734±.045	.139±.004	196.44±1.14	3.53±0.10
-266	8	8-1/4	1/8	7.984±.045	.139±.004	202.79±1.14	3.53±0.10
-267	8-1/4	8-1/2	1/8	8.234±.050	.139±.004	209.14±1.27	3.53±0.10
-268	8-1/2	8-3/4	1/8	8.484±.050	.139±.004	215.49±1.27	3.53±0.10
-269	8-3/4	9	1/8	8.734±.050	.139±.004	221.84±1.27	3.53±0.10
-270	9	9-1/4	1/8	8.984±.050	.139±.004	228.19±1.27	3.53±0.10
-271	9-1/4	9-1/2	1/8	9.234±.055	.139±.004	234.54±1.40	3.53±0.10
-272	9-1/2	9-3/4	1/8	9.484±.055	.139±.004	240.89±1.40	3.53±0.10
-273	9-3/4	10	1/8	9.734±.055	.139±.004	247.24±1.40	3.53±0.10
-274	10	10-1/4	1/8	9.984±.055	.139±.004	253.59±1.40	3.53±0.10
-275	10-1/2	10-3/4	1/8	10.484±.065	.139±.004	266.29±1.40	3.53±0.10
-276	11	11-1/4	1/8	10.984±.065	.139±.004	278.99±1.65	3.53±0.10
-277	11-1/2	11-3/4	1/8	11.484±.065	.139±.004	291.69±1.65	3.53±0.10
-278	12	12-1/4	1/8	11.984±.065	.139±.004	304.39±1.65	3.53±0.10
-279	13	13-1/4	1/8	12.984±.065	.139±.004	329.79±1.65	3.53±0.10
-280	14	14-1/4	1/8	13.984±.065	.139±.004	355.19±1.65	3.53±0.10
-281	15	15-1/4	1/8	14.984±.065	.139±.004	380.59±1.65	3.53±0.10
-282	16	16-1/4	1/8	15.955±.075	.139±.004	405.26±1.91	3.53±0.10
-283	17	17-1/4	1/8	16.955±.080	.139±.004	430.66±2.03	3.53±0.10
-284	18	18-1/4	1/8	17.955±.085	.139±.004	456.06±2.16	3.53±0.10

AS568 SIZING CHART

AS568A Dash No.	NOMINAL SIZE (Inch)			Actual Size (Inch)		Actual Size (In mm's)	
	I.D.	O.D.	W.	I.D.	W.	I.D.	W.
-309	7/16	13/16	3/16	.412±.005	.210±.005	10.46±0.13	5.33±0.13
-310	1/2	7/8	3/16	.475±.005	.210±.005	12.07±0.13	5.33±0.13
-311	9/16	15-16	3/16	.537±.007	.210±.005	13.64±0.18	5.33±0.13
-312	5/8	1	3/16	.600±.009	.210±.005	15.24±0.23	5.33±0.13
-313	11-16	1-1/16	3/16	.662±.009	.210±.005	16.81±0.23	5.33±0.13
-314	3/4	1-1/8	3/16	.725±.010	.210±.005	18.42±0.25	5.33±0.13
-315	13/16	1-3/6	3/16	.787±.010	.210±.005	19.99±0.25	5.33±0.13
-316	7/8	1-1/4	3/16	.850±.010	.210±.005	21.59±0.25	5.33±0.13
-317	15/16	1-5/16	3/16	.912±.010	.210±.005	23.16±0.25	5.33±0.13
-318	1	1-3/8	3/16	.975±.010	.210±.005	24.77±0.25	5.33±0.13
-319	1-1/16	1-7/16	3/16	1.037±.010	.210±.005	26.34±0.25	5.33±0.13
-320	1-1/8	1-1/2	3/16	1.100±.012	.210±.005	27.94±0.30	5.33±0.13
-321	1-3/16	1-9/16	3/16	1.162±.012	.210±.005	29.51±0.30	5.33±0.13
-322	1-1/4	1-5/8	3/16	1.225±.012	.210±.005	31.12±0.30	5.33±0.13
-323	1-5/16	1-11/16	3/16	1.287±.012	.210±.005	32.69±0.30	5.33±0.13
-324	1-3/8	1-3/4	3/16	1.350±.012	.210±.005	34.29±0.30	5.33±0.13
-325	1-1/2	1-7/8	3/16	1.475±.015	.210±.005	37.47±0.38	5.33±0.13
-326	1-5/8	2	3/16	1.600±.015	.210±.005	40.64±0.38	5.33±0.13
-327	1-3/4	2-1/8	3/16	1.725±.015	.210±.005	43.82±0.38	5.33±0.13
-328	1-7/8	2-1/4	3/16	1.850±.015	.210±.005	46.99±0.38	5.33±0.13
-329	2	2-3/8	3/16	1.975±.018	.210±.005	50.17±0.46	5.33±0.13
-330	2-1/8	2-1/2	3/16	2.100±.018	.210±.005	53.34±0.46	5.33±0.13
-331	2-1/4	2-5/8	3/16	2.225±.018	.210±.005	56.52±0.46	5.33±0.13
-332	2-3/8	2-3/4	3/16	2.350±.018	.210±.005	59.69±0.46	5.33±0.13
-333	2-1/2	2-7/8	3/16	2.475±.020	.210±.005	62.87±0.51	5.33±0.13
-334	2-5/8	3	3/16	2.600±.020	.210±.005	66.04±0.51	5.33±0.13
-335	2-3/4	3-1/8	3/16	2.725±.020	.210±.005	69.22±0.51	5.33±0.13
-336	2-7/8	3-1/4	3/16	2.850±.020	.210±.005	72.39±0.51	5.33±0.13
-337	3	3-3/8	3/16	2.975±.024	.210±.005	75.57±0.61	5.33±0.13
-338	3-1/8	3-1/2	3/16	3.100±.024	.210±.005	78.74±0.61	5.33±0.13
-339	3-1/4	3-5/8	3/16	3.225±.024	.210±.005	91.92±0.61	5.33±0.13
-340	3-3/8	3-3/4	3/16	3.350±.024	.210±.005	85.09±0.61	5.33±0.13
-341	3-1/2	3-7/8	3/16	3.475±.024	.210±.005	88.27±0.61	5.33±0.13
-342	3-5/8	4	3/16	3.600±.028	.210±.005	91.44±0.71	5.33±0.13
-343	3-3/4	4-1/8	3/16	3.725±.028	.210±.005	94.62±0.71	5.33±0.13
-344	3-7/8	4-1/4	3/16	3.850±.028	.210±.005	97.79±0.71	5.33±0.13
-345	4	4-3/8	3/16	3.975±.028	.210±.005	100.97±0.71	5.33±0.13
-346	4-1/8	4-1/2	3/16	4.100±.028	.210±.005	104.14±0.71	5.33±0.13
-347	4-1/4	4-5/8	3/16	4.225±.030	.210±.005	107.32±0.76	5.33±0.13
-348	4-3/8	4-3/4	3/16	4.350±.030	.210±.005	110.49±0.76	5.33±0.13
-349	4-1/2	4-7/8	3/16	4.475±.030	.210±.005	113.67±0.76	5.33±0.13
-350	4-5/8	5	3/16	4.600±.030	.210±.005	116.84±0.76	5.33±0.13
-351	4-3/4	5-1/8	3/16	4.725±.030	.210±.005	120.02±0.76	5.33±0.13
-352	4-7/8	5-1/4	3/16	4.850±.030	.210±.005	123.19±0.76	5.33±0.13
-353	5	5-3/8	3/16	4.975±.037	.210±.005	126.37±0.94	5.33±0.13
-354	5-1/8	5-1/2	3/16	5.100±.037	.210±.005	129.54±0.94	5.33±0.13
-355	5-1/4	5-5/8	3/16	5.225±.037	.210±.005	132.72±0.94	5.33±0.13
-356	5-3/8	5-3/4	3/16	5.350±.037	.210±.005	135.89±0.94	5.33±0.13
-357	5-1/2	5-7/8	3/16	5.475±.037	.210±.005	139.07±0.94	5.33±0.13
-358	5-5/8	6	3/16	5.600±.037	.210±.005	142.24±0.94	5.33±0.13
-359	5-3/4	6-1/8	3/16	5.725±.037	.210±.005	145.42±0.94	5.33±0.13
-360	5-7/8	6-1/4	3/16	5.850±.037	.210±.005	148.59±0.94	5.33±0.13
-361	6	6-3/8	3/16	5.975±.037	.210±.005	151.77±0.94	5.33±0.13

AS568 SIZING CHART

AS568A Dash No.	NOMINAL SIZE (Inch)			Actual Size (Inch)		Actual Size (In mm's)	
	I.D.	O.D.	W.	I.D.	W.	I.D.	W.
-362	6-1/4	6-5/8	3/16	6.225±.040	.210±.005	158.12±1.02	5.33±0.13
-363	6-1/2	6-7/8	3/16	6.475±.040	.210±.005	164.47±1.02	5.33±0.13
-364	6-3/4	7-1/8	3/16	6.725±.040	.210±.005	170.82±1.02	5.33±0.13
-365	7	7-3/8	3/16	6.975±.040	.210±.005	177.17±1.02	5.33±0.13
-366	7-1/4	7-5/8	3/16	7.225±.045	.210±.005	183.52±1.14	5.33±0.13
-367	7-1/2	7-7/8	3/16	7.475±.045	.210±.005	189.87±1.14	5.33±0.13
-368	7-3/4	8-1/8	3/16	7.725±.045	.210±.005	196.22±1.14	5.33±0.13
-369	8	8-3/8	3/16	7.975±.045	.210±.005	202.57±1.14	5.33±0.13
-370	8-1/4	8-5/8	3/16	8.225±.050	.210±.005	208.92±1.27	5.33±0.13
-371	8-1/2	8-7/8	3/16	8.475±.050	.210±.005	215.27±1.27	5.33±0.13
-372	8-3/4	9-1/8	3/16	8.725±.050	.210±.005	221.62±1.27	5.33±0.13
-373	9	9-3/8	3/16	8.975±.050	.210±.005	227.97±1.27	5.33±0.13
-374	9-1/4	9-5/8	3/16	9.225±.055	.210±.005	234.32±1.40	5.33±0.13
-375	9-1/2	9-7/8	3/16	9.475±.055	.210±.005	240.67±1.40	5.33±0.13
-376	9-3/4	10-1/8	3/16	9.725±.055	.210±.005	247.02±1.40	5.33±0.13
-377	10	10-3/8	3/16	9.975±.055	.210±.005	253.37±1.40	5.33±0.13
-378	10-1/2	10-7/8	3/16	10.475±.060	.210±.005	266.07±1.52	5.33±0.13
-379	11	11-3/8	3/16	10.975±.060	.210±.005	278.77±1.52	5.33±0.13
-380	11-1/2	11-7/8	3/16	11.475±.065	.210±.005	291.47±1.65	5.33±0.13
-381	12	12-3/8	3/16	11.975±.065	.210±.005	304.17±1.65	5.33±0.13
-382	13	13-3/8	3/16	12.975±.065	.210±.005	329.57±1.65	5.33±0.13
-383	14	14-3/8	3/16	13.975±.070	.210±.005	354.97±1.78	5.33±0.13
-384	15	15-3/8	3/16	14.975±.070	.210±.005	380.37±1.78	5.33±0.13
-385	16	16-3/8	3/16	15.955±.075	.210±.005	405.26±1.91	5.33±0.13
-386	17	17-3/8	3/16	16.955±.080	.210±.005	430.66±2.03	5.33±0.13
-387	18	18-3/8	3/16	17.955±.085	.210±.005	456.06±2.16	5.33±0.13
-388	19	19-3/8	3/16	18.955±.090	.210±.005	481.41±2.29	5.33±0.13
-389	20	20-3/8	3/16	19.955±.095	.210±.005	506.81±2.41	5.33±0.13
-390	21	21-3/8	3/16	20.955±.095	.210±.005	532.21±2.41	5.33±0.13
-391	22	22-3/8	3/16	21.955±.100	.210±.005	557.61±2.54	5.33±0.13
-392	23	23-3/8	3/16	22.940±.105	.210±.005	582.68±2.67	5.33±0.13
-393	24	24-3/8	3/16	23.940±.110	.210±.005	608.08±2.79	5.33±0.13
-394	25	25-3/8	3/16	24.940±.115	.210±.005	633.48±2.92	5.33±0.13
-395	26	26-3/8	3/16	25.940±.120	.210±.005	658.88±3.05	5.33±0.13
-425	4-1/2	5	1/4	4.475±.033	.275±.006	113.67±0.84	6.99±0.15
-426	4-5/8	5-1/8	1/4	4.600±.033	.275±.006	116.84±0.84	6.99±0.15
-427	4-3/4	5-1/4	1/4	4.725±.033	.275±.006	120.02±0.84	6.99±0.15
-428	4-7/8	5-3/8	1/4	4.850±.033	.275±.006	123.19±0.84	6.99±0.15
-429	5	5-1/2	1/4	4.975±.037	.275±.006	126.37±0.94	6.99±0.15
-430	5-1/8	5-5/8	1/4	5.100±.037	.275±.006	129.54±0.94	6.99±0.15
-431	5-1/4	5-3/4	1/4	5.225±.037	.275±.006	132.72±0.94	6.99±0.15
-432	5-3/8	5-7/8	1/4	5.350±.037	.275±.006	135.89±0.94	6.99±0.15
-433	5-1/2	6	1/4	5.475±.037	.275±.006	139.07±0.94	6.99±0.15
-434	5-5/8	6-1/8	1/4	5.600±.037	.275±.006	142.24±0.94	6.99±0.15
-435	5-3/4	6-1/4	1/4	5.725±.037	.275±.006	145.42±0.94	6.99±0.15
-436	5-7/8	6-3/8	1/4	5.850±.037	.275±.006	148.59±0.94	6.99±0.15
-437	6	6-1/2	1/4	5.975±.037	.275±.006	151.77±0.94	6.99±0.15
-438	6-1/4	6-3/4	1/4	6.225±.040	.275±.006	158.12±1.02	6.99±0.15
-439	6-1/2	7	1/4	6.475±.040	.275±.006	164.47±1.02	6.99±0.15
-440	6-3/4	7-1/4	1/4	6.725±.040	.275±.006	170.82±1.02	6.99±0.15
-441	7	7-1/2	1/4	6.975±.040	.275±.006	177.17±1.02	6.99±0.15
-442	7-1/4	7-3/4	1/4	7.225±.045	.275±.006	183.52±1.14	6.99±0.15
-443	7-1/2	8	1/4	7.475±.045	.275±.006	189.87±1.14	6.99±0.15

AS568 SIZING CHART

AS568A Dash No.	NOMINAL SIZE (Inch)			Actual Size (Inch)		Actual Size (In mm's)	
	I.D.	O.D.	W.	I.D.	W.	I.D.	W.
-444	7-3/4	8-1/4	1/4	7.725±.045	.275±.006	196.22±1.14	6.99±0.15
-445	8	8-1/2	1/4	7.975±.045	.275±.006	202.57±1.14	6.99±0.15
-446	8-1/2	9	1/4	8.475±.055	.275±.006	215.27±1.40	6.99±0.15
-447	9	9-1/2	1/4	8.975±.055	.275±.006	227.97±1.40	6.99±0.15
-448	9-1/2	10	1/4	9.475±.055	.275±.006	240.67±1.40	6.99±0.15
-449	10	10-1/2	1/4	9.975±.055	.275±.006	253.37±1.40	6.99±0.15
-450	10-1/2	11	1/4	10.475±.060	.275±.006	266.07±1.52	6.99±0.15
-451	11	11-1/2	1/4	10.975±.060	.275±.006	278.77±1.52	6.99±0.15
-452	11-1/2	12	1/4	11.475±.060	.275±.006	291.47±1.52	6.99±0.15
-453	12	12-1/2	1/4	11.975±.060	.275±.006	304.17±1.52	6.99±0.15
-454	12-1/2	13	1/4	12.475±.060	.275±.006	316.87±1.52	6.99±0.15
-455	13	13-1/2	1/4	12.975±.060	.275±.006	329.57±1.52	6.99±0.15
-456	13-1/2	14	1/4	13.457±.070	.275±.006	342.27±1.78	6.99±0.15
-457	14	14-1/2	1/4	13.975±.070	.275±.006	354.97±1.78	6.99±0.15
-458	14-1/2	15	1/4	14.475±.070	.275±.006	367.67±1.78	6.99±0.15
-459	15	15-1/2	1/4	14.975±.070	.275±.006	380.37±1.78	6.99±0.15
-460	15-1/2	16	1/4	15.475±.070	.275±.006	393.07±1.78	6.99±0.15
-461	16	16-1/2	1/4	15.955±.075	.275±.006	405.26±1.91	6.99±0.15
-462	16-1/2	17	1/4	16.455±.075	.275±.006	417.96±1.91	6.99±0.15
-463	17	17-1/2	1/4	16.955±.080	.275±.006	430.66±2.03	6.99±0.15
-464	17-1/2	18	1/4	17.455±.085	.275±.006	443.36±2.16	6.99±0.15
-465	18	18-1/2	1/4	17.955±.085	.275±.006	456.06±2.16	6.99±0.15
-466	18-1/2	19	1/4	18.455±.085	.275±.006	468.76±2.16	6.99±0.15
-467	19	19-1/2	1/4	18.955±.090	.275±.006	481.46±2.29	6.99±0.15
-468	19-1/2	20	1/4	19.455±.090	.275±.006	494.16±2.29	6.99±0.15
-469	20	20-1/2	1/4	19.955±.095	.275±.006	506.86±2.41	6.99±0.15
-470	21	21-1/2	1/4	20.955±.095	.275±.006	532.26±2.41	6.99±0.15
-471	22	22-1/2	1/4	21.955±.100	.275±.006	557.66±2.54	6.99±0.15
-472	23	23-1/2	1/4	22.940±.105	.275±.006	582.68±2.67	6.99±0.15
-473	24	24-1/2	1/4	23.940±.110	.275±.006	608.08±2.79	6.99±0.15
-474	25	25-1/2	1/4	24.940±.115	.275±.006	633.48±2.92	6.99±0.15
-475	26	26-1/2	1/4	25.940±.120	.275±.006	658.88±3.05	6.99±0.15
-901		3/32		.185±.005	.056±.003	4.70±0.13	1.42±0.08
-902		1/8		.239±.005	.064±.003	6.07±0.13	1.63±0.08
-903		3/16		.301±.005	.064±.003	7.65±0.13	1.63±0.08
-904		1/4		.351±.005	.072±.003	8.92±0.13	1.83±0.08
-905		5/16		.414±.005	.072±.003	10.52±0.13	1.83±0.08
-906		3/8		.468±.005	.078±.003	11.89±0.13	1.98±0.08
-907		7/16		.530±.007	.082±.003	13.46±0.18	2.08±0.08
-908		1/2		.644±.009	.087±.003	16.36±0.23	2.21±0.08
-909		9/16		.706±.009	.097±.003	17.93±0.23	2.46±0.08
-910		5/8		.755±.009	.097±.003	19.18±0.23	2.46±0.08
-911		11/16		.863±.009	.116±.004	21.92±0.23	2.95±0.10
-912		3/4		.924±.009	.116±.004	23.47±0.23	2.95±0.10
-913		13/16		.986±.010	.116±.004	25.04±0.26	2.95±0.10
-914		7/8		1.047±.010	.116±.004	26.59±0.26	2.95±0.10
-916		1		1.171±.010	.116±.004	29.74±0.26	2.95±0.10
-918		1-1/8		1.355±.012	.116±.004	34.42±0.30	2.95±0.10
-920		1-1/4		1.475±.014	.116±.004	37.47±0.36	3.00±0.10
-924		1-1/2		1.720±.014	.116±.004	43.69±0.36	3.00±0.10
-928		1-3/4		2.090±.018	.116±.004	53.09±0.46	3.00±0.10
-932		2		2.337±.018	.116±.004	59.36±0.46	3.00±0.10

