

UL Ball Valves Series PUL

U.L. Listed #842 Test SPEC

Advantages/Applications

Parker's industrial ball valve product line is intended for general purpose use. Please be aware that ball valves are intended for use in the fully open or closed positions. Depending on application conditions, throttling of the valve may result in premature seal failure and/or inability to turn the valve handle.

These are hand operated Ball Valves, intended for use as a gas line service valve suitable for flammable liquids (YRBX), LP Gas (YSDT), and Compressed Gas (YQNZ). This economical ball valve is available in 1/4", 3/8", 1/2", 3/4" and 1" female pipe sizes. Parker's ball valve bodies are machined from high quality CA 377 forgings. Consult division for U.L. listings on ball valve options.

Working Pressure and Temperature

The maximum working pressure is not to exceed 250 PSIG, operating temperature 0°-250°F.

Markings

1. Handles stamped UL and 250 PSIG.
2. Operating Requirements listed on tag.

Operating Instructions

Quarter turn is "ON" or "OFF".
(Provides positive stop action for full shutoff.)

NOTE: PERIODICALLY CHECK THE ADJUSTABLE PACKING NUT AND TIGHTEN AS REQUIRED.

Style	Type	Material	Size	Options
V	500	PUL	-4	-00
Style	V-Valve			
Type	500-Female/Female PTF Ports			
Material	P- Brass			
Size	4-1/4" 6-3/8" 8-1/2" 12-3/4" 16-1"			
Options	01-Stainless Steel Ball & Stem 02-Stainless Steel Handle & Nut 03-Stainless Steel Ball, Stem, Handle & Nut 04-Tee Handle 08-Unmarked Yellow Vinyl Handle Cover			

Flow Data

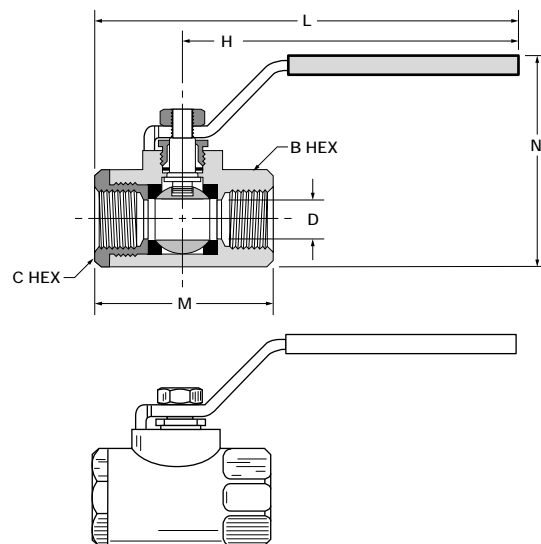
VALVE SIZE	CV
1/4	4.0
3/8	5.8
1/2	12.0
3/4	35.0
1	54.0

UL Ball Valves Series PUL

UL Listed, Female Pipe Ends XV500PUL

PART NO.	PIPE THREAD [PTF]	B HEX	C HEX	H	L	M	N	FLOW DIA.D
XV500PUL-4	1/4	15/16	15/16	3.96	4.90	2.03	2.47	.375
XV500PUL-6	3/8	15/16	15/16	3.96	4.90	2.03	2.47	.375
XV500PUL-8	1/2	1-1/16	1-1/16	3.96	5.00	2.20	2.58	.500
XV500PUL-12	3/4*	1-1/4	1-5/16	3.96	5.25	2.42	2.81	.685
XV500PUL-16	1*	1-1/2	1-9/16	3.96	5.34	2.75	3.08	.875

* Special-short



UL Listed, Tee Handle, Female Pipe Ends XV500PUL-X-04

PART NO.	PIPE THREAD	B HEX	C HEX	H	L	M	N	D FLOW Ø
XV500PUL-4-04	1/4	15/16	15/16	1.25	2.50	2.03	1.87	.375
XV500PUL-6-04	3/8	15/16	15/16	1.25	2.50	2.03	1.87	.375
XV500PUL-8-04	1/2	1-1/16	1-1/16	1.25	2.50	2.20	1.98	.500
XV500PUL-12-04	3/4*	1-1/4	1-5/16	1.25	2.50	2.42	2.20	.685
XV500PUL-16-04	1*	1-1/2	1-9/16	1.25	2.50	2.75	2.48	.875

* Special-short

