

Stainless Steel Ball Valves Series 500SS/502SS

Advantages

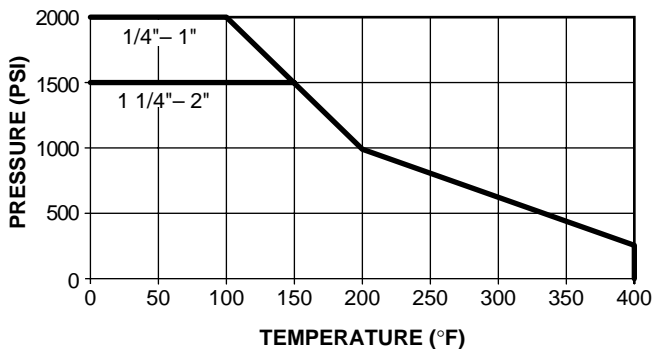
Parker's Cast Body is manufactured from CF-8M Stainless Steel, the cast equivalent of 316 Stainless Steel. They are ideal for corrosive environments such as chemical plants and refineries. The full flow design assures maximum operating efficiency. The reinforced PTFE seats and seals, coupled with the 316 Stainless Ball and blow-out proof stem, result in the utmost reliability. These ball valves are available in 1/4", 3/8", 1/2" (502SS), and 3/4", 1", 1-1/4", 1-1/2" and 2" (500SS) female pipe sizes.

Applications/Approvals

Parker's industrial ball valve product line is intended for general purpose use. Please be aware that ball valves are intended for use in the fully open or closed positions. Depending on application conditions, throttling of the valve may result in premature seal failure and/or inability to turn the valve handle.

Applications include chemical plants, refineries, steel mills, industrial fuel lines and agricultural equipment. Meets material requirements of NACE MR-01-75.

Working Pressure/Temperature



Saturated steam service rating up to 150 PSI and 400° F.

Operating Instructions

Quarter turn is "ON" or "OFF".
(Provides positive stop action for full shutoff.)

NOTE: PERIODICALLY CHECK THE ADJUSTABLE PACKING NUT AND TIGHTEN AS REQUIRED.

Style	Type	Material	Size	Options
V	500	SS	-4	-00
Style	V-Valve VP-Valve, Padlocking Handle			
Type	500-Female/Female NPT Ports 502-Panel Mount Female/Female PTF Ports			
Material	SS-Stainless Steel			
Size	502SS: 4-1/4" 6-3/8" 8-1/2"		500SS: 12-3/4" 16-1" 20-1 1/4" 24-1 1/2" 32-2"	
Options	20-Short Handle 21-Oval Handle 35-Welded Retainer Nut			

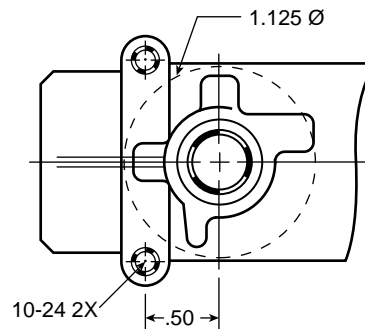
Flow data 502SS

VALVE SIZE	CV
1/4	4.0
3/8	6.0
1/2	14.0

Flow data 500SS

VALVE SIZE	CV
3/4	35.0
1	54.0
1 1/4	74.0
1 1/2	120.0
2	226.0

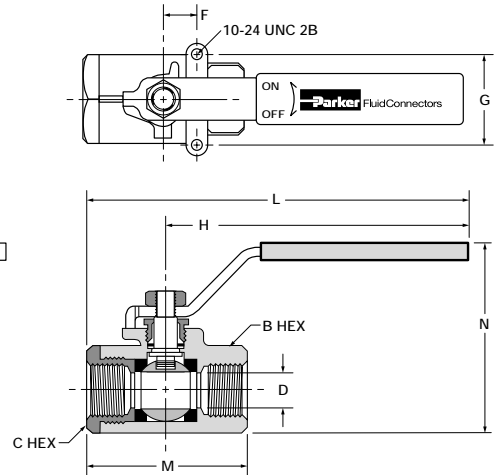
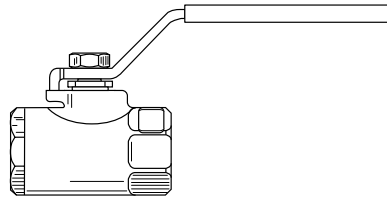
502SS Mounting detail



Stainless Steel Ball Valves Series 500SS/502SS

Female Pipe Ends, Panel Mount XV502SS

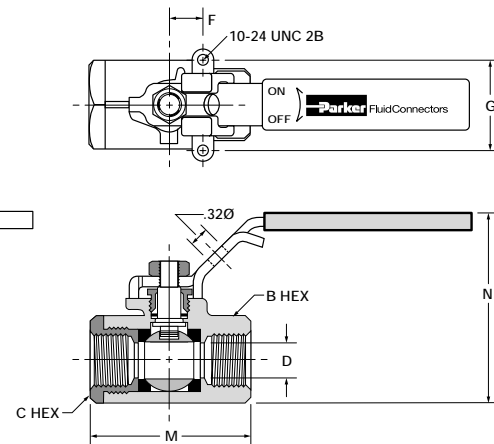
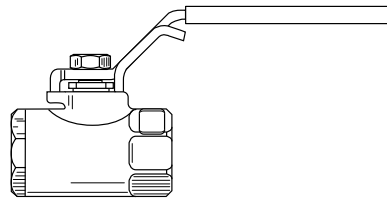
PART NO.	SIZE	B/C HEX	F	G	H	L	M	N	FLOW DIA. D
XV502SS-4	1/4	15/16	.50	1.12	3.96	5.00	2.07	2.51	.375
XV502SS-6	3/8	15/16	.50	1.12	3.96	5.00	2.07	2.51	.375
XV502SS-8	1/2	1-1/16	.50	1.12	3.96	5.11	2.25	2.63	.500



Locking Handle, Female Pipe Ends, Panel Mount XVP502SS

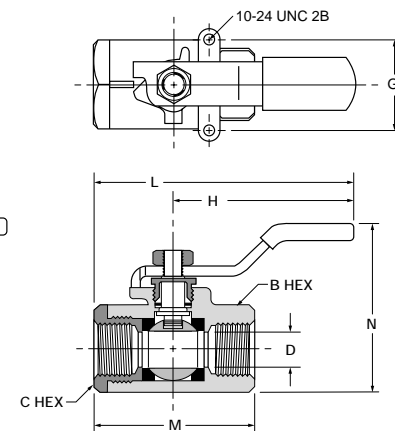
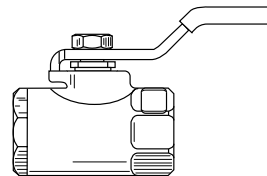
PART NO.	SIZE	B/C HEX	F	G	H	L	M	N	FLOW DIA. D
XVP502SS-4	1/4	15/16	.50	1.12	3.96	5.00	2.07	2.51	.375
XVP502SS-6	3/8	15/16	.50	1.12	3.96	5.00	2.07	2.51	.375
XVP502SS-8	1/2	1-1/16	.50	1.12	3.96	5.11	2.25	2.63	.500

For use with 5/16" Ø shank lock



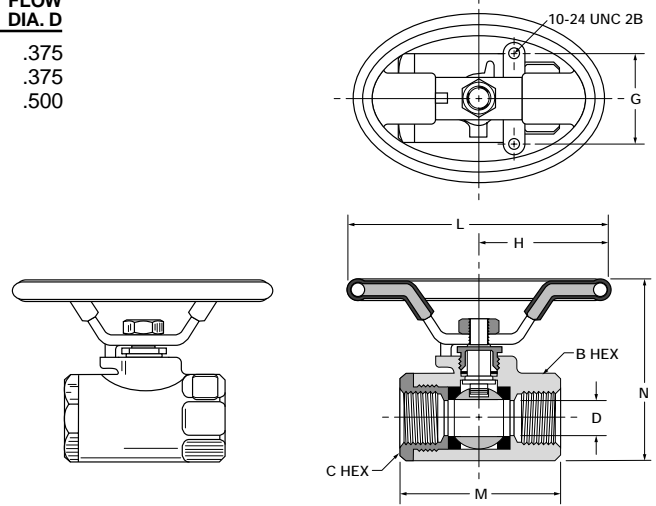
Short Handle, Female Pipe Ends, Panel Mount XV502SS-X-20

PART NO.	SIZE	B/C HEX	G	H	L	M	N	FLOW DIA. D
XV502SS-4-20	1/4	15/16	1.12	2.28	3.32	2.07	2.53	.375
XV502SS-6-20	3/8	15/16	1.12	2.28	3.32	2.07	2.53	.375
XV502SS-8-20	1/2	1-1/16	1.12	2.22	3.37	2.25	2.63	.500



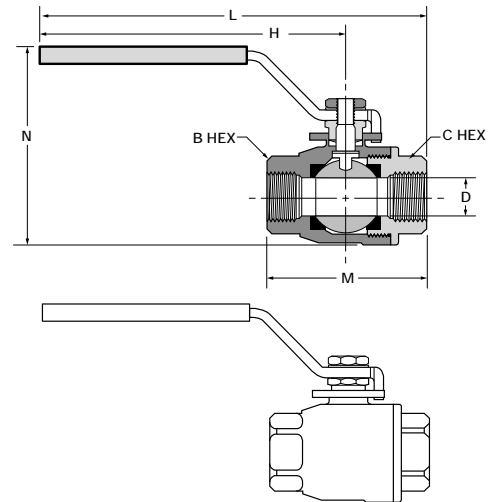
Oval Handle, Female Pipe Ends, Panel Mount XV502SS-X-21

PART NO.	SIZE	B/C HEX	G	H	L	M	N	FLOW DIA.D
XV502SS-4-21	1/4	15/16	1.12	1.74	3.48	2.07	2.43	.375
XV502SS-6-21	3/8	15/16	1.12	1.74	3.48	2.07	2.43	.375
XV502SS-8-21	1/2	1-1/16	1.12	1.74	3.49	2.25	2.54	.500



Female-Female Pipe Ends XV500SS

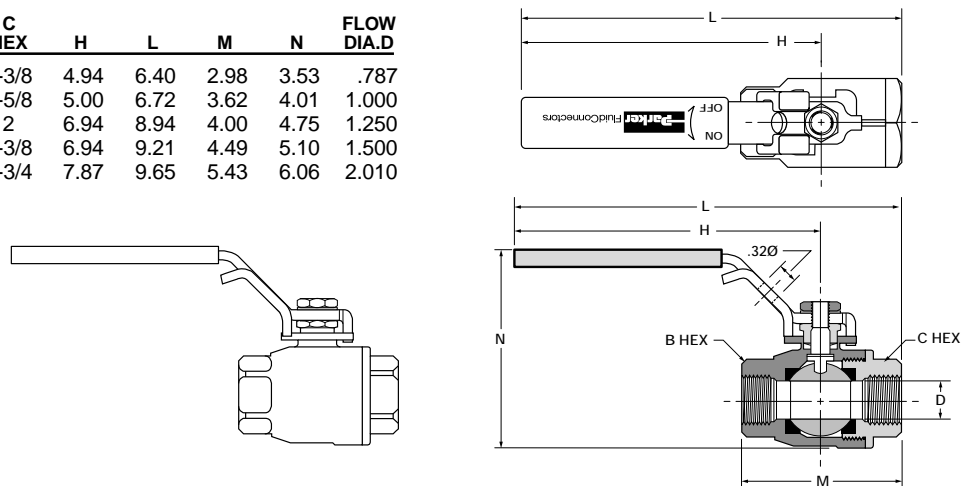
PART NO.	PIPE THREAD [NPT]	B HEX	C HEX	H	L	M	N	FLOW DIA.D
XV500SS-12	3/4	1-3/8	1-3/8	5.00	6.37	2.98	3.53	.787
XV500SS-16	1	1-5/8	1-5/8	5.00	6.72	3.62	4.01	1.000
XV500SS-20	1-1/4	2	2	6.94	8.94	4.00	4.75	1.250
XV500SS-24	1-1/2	2-3/8	2-3/8	6.94	9.21	4.49	5.10	1.500
XV500SS-32	2	2-3/4	2-3/4	7.87	9.65	5.43	6.06	2.000



Locking Handle, Female Pipe Ends XVP500SS

PART NO.	PIPE THREAD [NPT]	B HEX	C HEX	H	L	M	N	FLOW DIA.D
XVP500SS-12	3/4	1-3/8	1-3/8	4.94	6.40	2.98	3.53	.787
XVP500SS-16	1	1-5/8	1-5/8	5.00	6.72	3.62	4.01	1.000
XVP500SS-20	1-1/4	2	2	6.94	8.94	4.00	4.75	1.250
XVP500SS-24	1-1/2	2-3/8	2-3/8	6.94	9.21	4.49	5.10	1.500
XVP500SS-32	2	2-3/4	2-3/4	7.87	9.65	5.43	6.06	2.010

For use with 5/16" Ø shank lock



Stainless Steel Ball Valves Series 500SS/502SS

Oval Handle, Female Pipe Ends XV500SS-X-21

PART NO.	PIPE THREAD [NPT]	B HEX	C HEX	H	L	M	N	FLOW DIA.D
XV500SS-12-21	3/4	1-3/8	1-3/8	2.68	5.36	2.98	3.48	.787
XV500SS-16-21	1	1-5/8	1-5/8	2.68	5.36	3.62	3.97	1.000
XV500SS-20-21	1-1/4	2	2	3.27	6.53	4.00	4.70	1.250
XV500SS-24-21	1-1/2	2-3/8	2-3/8	3.27	6.53	4.49	5.05	1.500
XV500SS-32-21	2	2-3/4	2-3/4	3.27	6.53	5.43	6.01	2.000

