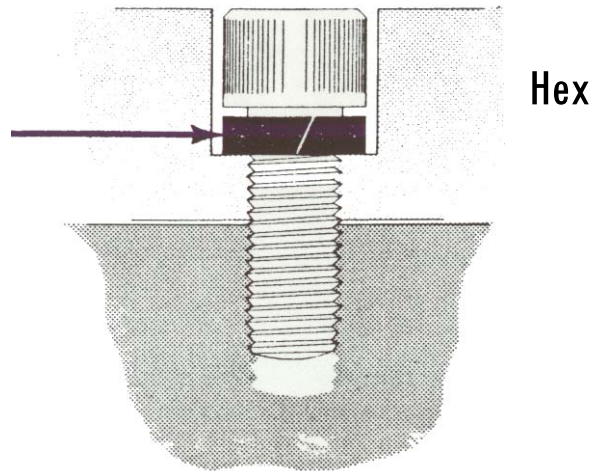


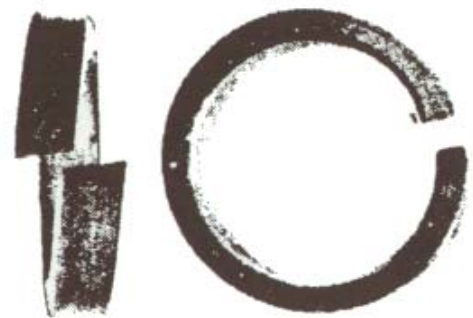
GLOBAL HIGH COLLAR LOCKWASHERS

PREVENTS LOOSE ASSEMBLIES UNDER VIBRATION AND IMPACT
Use with both UNF-SAE FINE and UNC-USS COARSE thread cap screws
SPECIALLY ENGINEERED FOR PRECISION FIT

- Fits within recess in which Globalloy Socket Cap Screws are used.
- Provides maximum O.D. clearance in any tight application where standard size or extra thick lockwashers will not fit.
- Extra height for full spring action and tight assemblies that stay tight longer.
- Special analysis, high strength steel for long spring life.



PART #	DESCRIPTION	PACK
W63-660092	# 6 HIGH COLLAR LOCKWASHER IM	(BAA)
W63-660094	# 8 HIGH COLLAR LOCKWASHER IM	(BAA)
W63-660096	#10 HIGH COLLAR LOCKWASHER IM	(BAA)
W63-660098	1/4 HIGH COLLAR LOCKWASHER IM	(BAA)
W63-660100	5/16 HIGH COLLAR LOCKWASHER IM	(BAA)
W63-660102	3/8 HIGH COLLAR LOCKWASHER IM	(BAA)
W63-660104	7/16 HIGH COLLAR LOCKWASHER IM	(FA)
W63-660106	1/2 HIGH COLLAR LOCKWASHER IM	(FA)
W63-660108	5/8 HIGH COLLAR LOCKWASHER IM	(CF)
W63-660110	3/4 HIGH COLLAR LOCKWASHER IM	(CF)
W63-660112	7/8 HIGH COLLAR LOCKWASHER IM	(BA)
W63-660114	1" HIGH COLLAR LOCKWASHER IM	(BA)

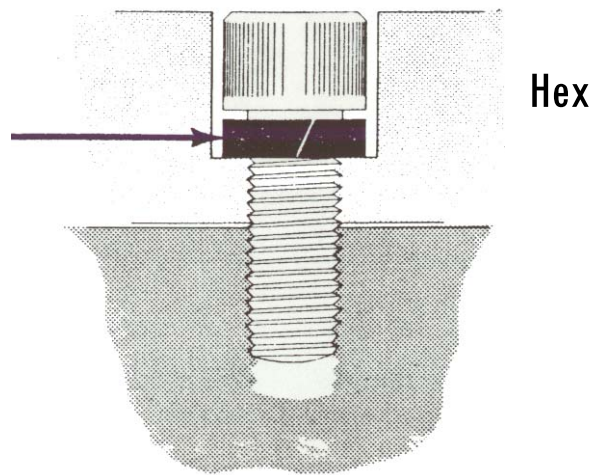


GLOBAL

MERTIC HIGH COLLAR LOCKWASHERS

**PREVENTS LOOSE ASSEMBLIES UNDER VIBRATION AND IMPACT
SPECIALLY ENGINEERED FOR PRECISION FIT**

- Fits within recess in which Globalloy Socket Cap Screws are used.
- Provides maximum O.D. clearance in any tight application where standard size or extra thick lockwashers will not fit.
- Extra height for full spring action and tight assemblies that stay tight longer.
- Special analysis, high strength steel for long spring life.
- MEETS DIN 7980 SPECIFICATIONS.



PART #	DESCRIPTION	PACK
W77-360094	4 MM HIGH COLLAR LOCKWASHER	(BAA)
W77-360096	5 MM HIGH COLLAR LOCKWASHER	(BAA)
W77-360098	6 MM HIGH COLLAR LOCKWASHER	(BAA)
W77-360100	8 MM HIGH COLLAR LOCKWASHER	(BAA)
W77-360104	10 MM HIGH COLLAR LOCKWASHER	(FA)
W77-360106	12 MM HIGH COLLAR LOCKWASHER	(FA)
W77-360108	16 MM HIGH COLLAR LOCKWASHER	(CF)
W77-360112	20 MM HIGH COLLAR LOCKWASHER	(CF)

