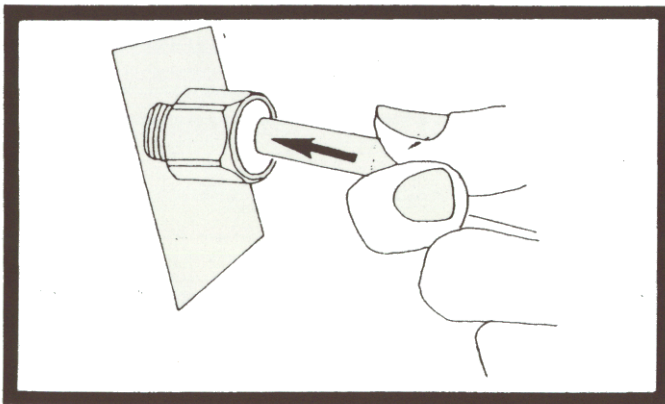


GLOBAL RAPID LOCK TUBE FITTINGS

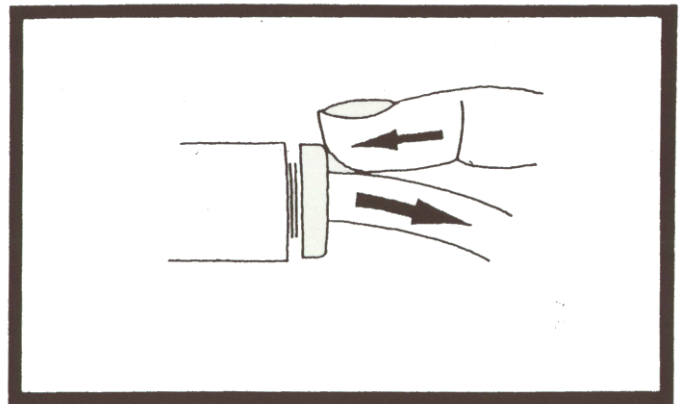
RAPID LOCK fittings are a major advancement in pneumatic and fluid assembly. They are the fastest, simplest, safest fittings ever developed.

RAPID LOCK FITTINGS HAVE THESE SUPERIOR FEATURES:

- Can be Installed in Less Than a Forth (1/4) of the time Required to Install Ordinary Fittings
- Reduces Inventory Up to 75%
RAPID LOCK one piece construction means fewer parts to inventory. No need to stock complicated nuts, ferrules and sleeves.
- Nickel Plated Brass for unsurpassed rust and corrosion protection.



EASY TO CONNECT



EASY TO DISCONNECT

NO TOOLS REQUIRED -- ASSMEBLE IN SECONDS

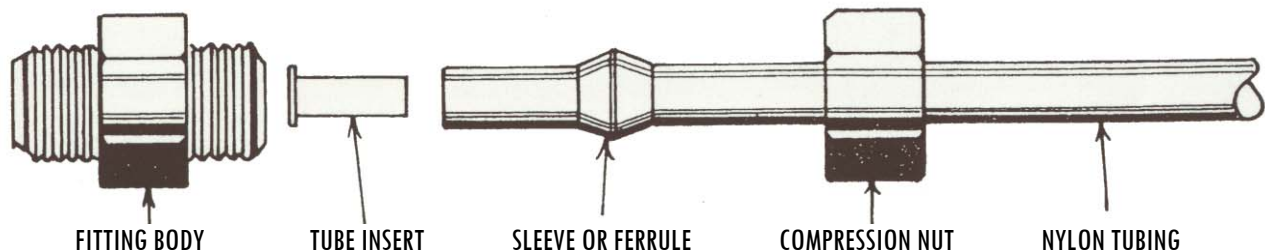


GLOBAL INDUSTRIAL PRODUCTS

BRASS

ORDINARY LOW PRESSURE BRASS and STEEL FITTINGS ARE A MAJOR CAUSE OF MAINTENANCE PROBLEMS

- TIME CONSUMING ASSEMBLY
- DIFFICULT INSTALLATION and REMOVAL
- REQUIRE CONSTANT TIGHTENING and RE-TIGHTENING DUE TO VIBRATION
- VIRTUALLY IMPOSSIBLE TO SERVICE IN TIGHT AREAS
- SLEEVES, FERRULES and INSERTS FREQUENTLY MUST BE REPLACED
- LARGE and COSTLY INVENTORY



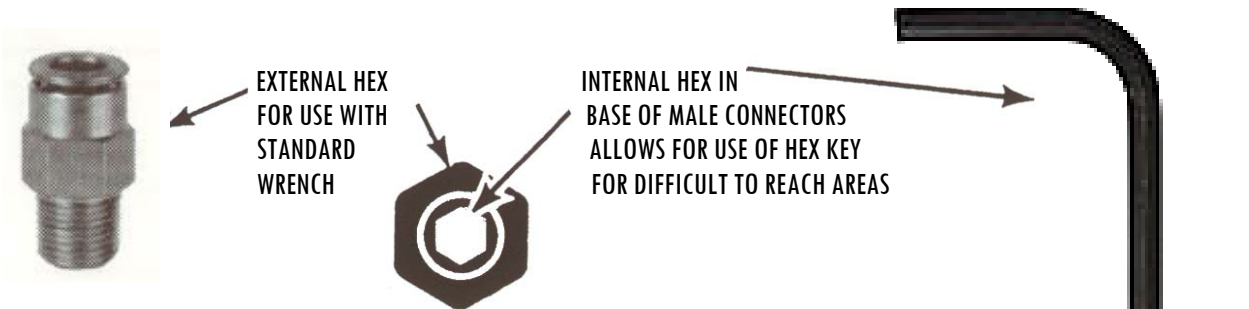
**GLOBAL RAPID LOCK FITTINGS SOLVE
ALL THESE PROBLEMS**



GLOBAL INDUSTRIAL PRODUCTS

BRASS

RAPID LOCK MALE CONNECTORS



PART #	DESCRIPTION	PACK
E05-255000	1/8 X10-32UNF RAPID LOCK CONN	(BA)
E05-255001	5/32 X10-32UNF RAPID LOCK CONN	(BA)
E05-255003	1/8 X 1/8 NPT RAPID LOCK CONN	(BA)
E05-255005	5/32 X 1/8 NPT RAPID LOCK CONN	(BA)
E05-255007	5/32 X 1/4 NPT RAPID LOCK CONN	(BA)
E05-255010	1/4 X10-32UNF RAPID LOCK CONN	(BA)
E05-255011	1/4 X 1/8 NPT RAPID LOCK CONN	(BA)
E05-255013	1/4 X 1/4 NPT RAPID LOCK CONN	(BA)
E05-255015	5/16 X 1/8 NPT RAPID LOCK CONN	(BA)
E05-255017	5/16 X 1/4 NPT RAPID LOCK CONN	(BA)
E05-255019	3/8 X 1/4 NPT RAPID LOCK CONN	(F)
E05-255021	3/8 X 3/8 NPT RAPID LOCK CONN	(F)
E05-255023	1/2 X 1/4 NPT E-Z LOCK CONN	(F)
E05-255025	1/2 X 3/8 NPT RAPID LOCK CONN	(F)
E05-255027	1/2 X 1/2 NPT RAPID LOCK CONN	(F)

RAPID LOCK MALE ELBOWS



RAPID LOCK MALE ELBOWS CAN BE TURNED TO ANY DIRECTION TO ALLOW EASY AND FAST ALIGNMENT OF TUBING AND FITTING.

PART #	DESCRIPTION	PACK
E08-255030	1/8 X10-32UNF RAPID LOCK ELBO	(BA)
E08-255031	1/8 X 1/8NPT RAPID LOCK ELBOW	(BA)
E08-255032	5/32 X10-32UNF RAPID LOCK ELBO	(BA)
E08-255033	5/32 X 1/8NPT RAPID LOCK ELBOW	(BA)
E08-255035	5/32 X 1/4NPT RAPID LOCK ELBOW	(BA)
E08-255039	1/4 X 1/8NPT RAPID LOCK ELBOW	(BA)
E08-255041	1/4 X 1/4NPT RAPID LOCK ELBOW	(BA)
E08-255042	1/4 X 3/8NPT RAPID LOCK ELBOW	(F)
E08-255043	5/16 X 1/8NPT RAPID LOCK ELBOW	(BA)
E08-255045	5/16 X 1/4NPT RAPID LOCK ELBOW	(F)
E08-255047	3/8 X 1/4NPT RAPID LOCK ELBOW	(F)
E08-255049	3/8 X 3/8NPT RAPID LOCK ELBOW	(F)
E08-255051	1/2 X 1/4NPT RAPID LOCK ELBOW	(F)
E08-255053	1/2 X 3/8NPT RAPID LOCK ELBOW	(F)
E08-255055	1/2 X 1/2NPT RAPID LOCK ELBOW	(F)



GLOBAL INDUSTRIAL PRODUCTS

BRASS

RAPID LOCK FEMALE CONNECTORS



FEMALE CONNECTORS ARE USED ON GAUGES AND OTHER INSTRUMENTATION THAT HAVE MALE THREADS.

PART #	DESCRIPTION	PACK
E09-255510	1/8 X 1/8NPT R.LOCK FEM CONN	(F)
E09-255512	1/8 X 1/4NPT R.LOCK FEM CONN	(F)
E09-255514	5/32 X 1/8NPT R.LOCK FEM CONN	(F)
E09-255516	5/32 X 1/4NPT R.LOCK FEM CONN	(F)
E09-255518	1/4 X 1/8NPT R.LOCK FEM CONN	(F)
E09-255520	1/4 X 1/4NPT R.LOCK FEM CONN	(F)
E09-255524	3/8 X 1/4NPT R.LOCK FEM CONN	(F)
E09-255526	3/8 X 3/8NPT R.LOCK FEM CONN	(F)

RAPID LOCK BRANCH TEES

TUBE SIZE — THE SAME ON BOTH ENDS



MALE BRANCH "T"s CAN BE TURNED TO ANY DIRECTION TO ALLOW EASY AND FAST ALIGNMENT OF TUBING AND FITTING JUST LIKE MALE ELBOWS

PART #	DESCRIPTION	PACK
E10-255059	1/8 X1/8 NPT RAPID LK BRANCH T	(F)
E10-255061	5/32X1/8 NPT RAPID LK BRANCH T	(F)
E10-255065	1/4 X1/8 NPT RAPID LK BRANCH T	(F)
E10-255067	1/4 X1/4 NPT RAPID LK BRANCH T	(F)
E10-255073	3/8 X1/4 NPT RAPID LK BRANCH T	(F)
E10-255075	3/8 X3/8 NPT RAPID LK BRANCH T	(F)
E10-255077	1/2 X3/8 NPT RAPID LK BRANCH T	(F)
E10-255079	1/2 X1/2 NPT RAPID LK BRANCH T	(F)

RAPID LOCK RUN TEES

TUBE SIZE — THE SAME ON BOTH ENDS



MALE RUN "T"s CAN BE TURNED TO ANY DIRECTION TO ALLOW EASY AND FAST ALIGNMENT OF TUBING AND FITTING JUST LIKE MALE ELBOWS

PART #	DESCRIPTION	PACK
E11-255210	1/8 X 1/8 RAPID LOCK RUN-TEE	(F)
E11-255212	5/32 X 1/8 RAPID LOCK RUN-TEE	(F)
E11-255214	1/4 X 1/8 RAPID LOCK RUN-TEE	(F)
E11-255216	1/4 X 1/4 RAPID LOCK RUN-TEE	(F)
E11-255218	3/8 X 1/4 RAPID LOCK RUN-TEE	(F)
E11-255220	3/8 X 3/8 RAPID LOCK RUN-TEE	(C)
E11-255222	1/2 X 3/8 RAPID LOCK RUN-TEE	(C)
E11-255224	1/2 X 1/2 RAPID LOCK RUN-TEE	(C)

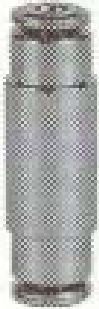


GLOBAL INDUSTRIAL PRODUCTS

BRASS

RAPID LOCK UNIONS

TUBE SIZE — THE SAME ON BOTH ENDS



UNIONS CAN BE USED TO QUICKLY, EASILY AND PERMANENTLY REPAIR BROKEN, TORN, OR KINKED TUBING.

<u>PART #</u>	<u>DESCRIPTION</u>	<u>PACK</u>
E12-255081	1/8 RAPID LOCK UNION	(BA)
E12-255083	5/32 RAPID LOCK UNION	(BA)
E12-255087	1/4 RAPID LOCK UNION	(BA)
E12-255089	5/16 RAPID LOCK UNION	(BA)
E12-255091	3/8 RAPID LOCK UNION	(F)
E12-255093	1/2 RAPID LOCK UNION	(F)

RAPID LOCK PLUGS



- PRECISE O.D. AND LOCKING GROOVE PROVIDE POSITIVE SEALING OF ALL RAPID LOCK FITTINGS
- THE ONLY WAY TO PLUG A RAPID LOCK FITTING.

<u>PART #</u>	<u>DESCRIPTION</u>	<u>PACK</u>
E14-255095	1/8 RAPID LOCK PLUG	(BA)
E14-255097	5/32 RAPID LOCK PLUG	(BA)
E14-255101	1/4 RAPID LOCK PLUG	(BA)
E14-255103	5/16 RAPID LOCK PLUG	(BA)
E14-255105	3/8 RAPID LOCK PLUG	(BA)
E14-255107	1/2 RAPID LOCK PLUG	(BA)

RAPID LOCK UNION TEES

TUBE SIZE — THE SAME ON ALL ENDS



UNION "T"s CAN BE USED TO BRANCH OFF LINES OR TO ADD MORE LINES.

<u>PART #</u>	<u>DESCRIPTION</u>	<u>PACK</u>
E15-255109	1/8 RAPID LOCK UNION TEE	(F)
E15-255111	5/32 RAPID LOCK UNION TEE	(F)
E15-255115	1/4 RAPID LOCK UNION TEE	(F)
E15-255117	5/16 RAPID LOCK UNION TEE	(F)
E15-255119	3/8 RAPID LOCK UNION TEE	(F)
E15-255121	1/2 RAPID LOCK UNION TEE	(F)

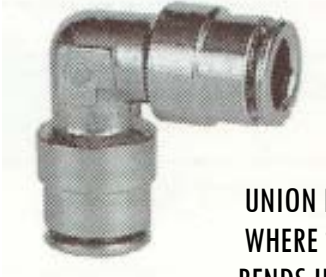


GLOBAL INDUSTRIAL PRODUCTS

BRASS

RAPID LOCK UNION ELBOWS

TUBE SIZE — THE SAME ON BOTH ENDS



UNION ELBOWS ARE USED WHERE SHARP ANGLE BENDS IN TUBING ARE REQUIRED

<u>PART #</u>	<u>DESCRIPTION</u>	<u>PACK</u>
E16-255240	1/8 RAPID LOCK UNION ELBOW	(F)
E16-255242	5/32 RAPID LOCK UNION ELBOW	(F)
E16-255244	1/4 RAPID LOCK UNION ELBOW	(F)
E16-255245	5/16 RAPID LOCK UNION ELBOW	(F)
E16-255246	3/8 RAPID LOCK UNION ELBOW	(F)
E16-255248	1/2 RAPID LOCK UNION ELBOW	(F)

RAPID LOCK BULKHEAD UNIONS



- BULKHEAD UNIONS ARE USED WHERE TUBING MUST PASS THROUGH PANEL BOXES, FIRWALLS OR SUPPORT BRACKETS. (HEX NUT INCLUDED)
- RAPID LOCK FITTING ON BOTH ENDS
- TUBE SIZE — THE SAME ON BOTH ENDS

<u>PART #</u>	<u>DESCRIPTION</u>	<u>PACK</u>
E18-255123	1/8 RAPID LOCK BULKHEAD UNION	(F)
E18-255125	5/32 RAPID LOCK BULKHEAD UNION	(F)
E18-255129	1/4 RAPID LOCK BULKHEAD UNION	(F)
E18-255131	5/16 RAPID LOCK BULKHEAD UNION	(F)
E18-255133	3/8 RAPID LOCK BULKHEAD UNION	(F)
E18-255135	1/2 RAPID LOCK BULKHEAD UNION	(C)

RAPID LOCK REDUCERS



JUST PLUG REDUCER INTO RAPID LOCK FITTING FOR A PEPECT SEAL AND A REDUCED TUBE O.D.

<u>PART #</u>	<u>DESCRIPTION</u>	<u>PACK</u>
E23-255157	1/4 X 1/8 RAPID LOCK REDUCER	(BA)
E23-255159	1/4 X 5/32 RAPID LOCK REDUCER	(BA)
E23-255169	3/8 X 1/4 RAPID LOCK REDUCER	(BA)
E23-255177	1/2 X 3/8 RAPID LOCK REDUCER	(F)



GLOBAL INDUSTRIAL PRODUCTS

RAPID LOCK

ASSORTMENT

FEATURES:

- Time and labor savings — Can be installed in 25% of the time of ordinary fittings.
- One-fourth the parts of ordinary brass fittings.
- Male elbows and tees can be turned to any direction, once they are tightened, for easy alignment.
- Special “O” Ring for positive, virtual leak-proof sealing.
- 250 PSI working pressure
- For vacuum lines to -14 PSI.
- Working temperature range
-20°F to +160°F
-40°F to 200°F, intermittent.

APPLICATIONS:

- Air operated tools and equipment
- Pneumatic and vacuum controls and accessories
- Instruments and gauges
- Pneumatic control panels
- Oil lines
- Pumps and compressors
- Fuel lines
- Water and coolant lines
- *Not for use on truck air brake systems
- Paint spray booths and equipment
- Truck air operated windshield wipers
- Truck transmission splitter lines
- Lubrication systems
- Radiator shutter systems
- Air horns
- Air tank pressure gauges
- Vacuum advance systems



BRASS

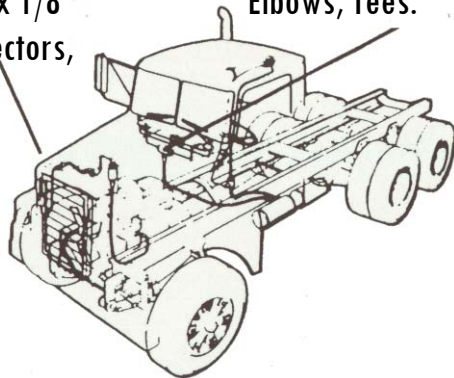
SHOP APPLICATIONS:

- Air operated tools and equipment
- Water and coolant lines
- Pumps and compressors
- Paint spray booths & equipment
- Pneumatic control panels
- Oil lines

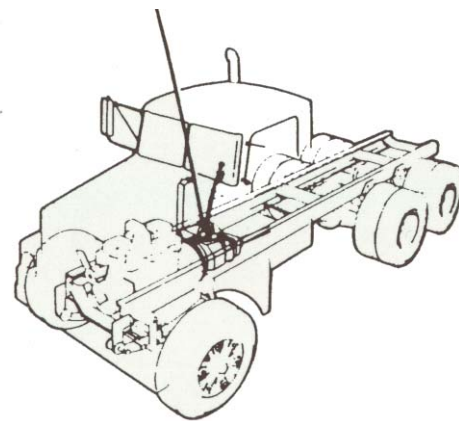
VEHICULAR APPLICATIONS:

- Truck transmission splitter lines
- Lubrication systems
- Radiator shutter systems
- Air horns
- Air tank pressure gauges
- Vacuum advance systems
- Windshield washers
- Vacuum accessories
- Air operated fifth wheels
- Oil pressure gauges
- Ether injectors
- Tag axles
- * Not for use on truck air brake systems
- Truck air operated windshield wipers
- Pneumatic and vacuum controls and accessories
- Instruments and gauges
- Fuel lines
- Air suspension seats
- Boost pressure gauges
- Headlight washers
- Differential locks
- Fuel return and crossovers
- Secondary Vehicular air systems, (Examples below)

Shutter Stat, 1/4"
Unions, 1/4 x 1/8
Male Connectors,
Elbows.



Windshield Wipers
and Washer, 1/4 Unions
1/4 x 1/8 Male Connector
Elbows, Tees.



Shift System, 1/8 Unions,
1/8 x 1/16 Male Connectors, Elbows
1/8 x 1/8 Male Connectors, Elbows

RAPID LOCK FITTINGS HAVE NOT BEEN SUBMITTED TO, OR APPROVED BY THE DEPARTMENT OF TRANSPORTATION FOR USE ON AIR BRAKE SYSTEMS. NOT RECOMMENDED FOR USE WITH METALLIC TUBING OR PIPE.



GLOBAL INDUSTRIAL PRODUCTS