












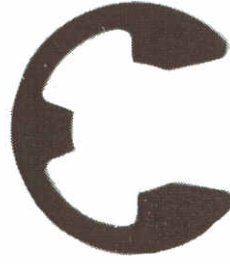

# GLOBAL RETAINING RINGS

- PRECISION MADE OF THE FINEST HIGH CARBON SPRING STEEL
- SPECIALLY HEAT-TREATED USING EXCLUSIVE GLOBAL HARDENING PROCESS TO RESIST BREAKING AND DISTORTING
- **IMPREGNO-PLTD** for maximum protection against rust and corrosion
- MEETS THE FOLLOWING STANDARDS:  
National Aircraft Standards NAS 669-670, which supersede NAS 50-51: Department of Defense Military Standards MS-16624 through MS-16634 and Military Specification MIL-R-21248

## “E” TYPE RETAINING RINGS

				
SHAFT DIAMETER	1/8	5/32	3/16	7/32
RING DIAMETER	.094	.114	.145	.185
RING THICKNESS	.015	.025	.025	.025






					
1/4	5/16	3/8	7/16	1/2	5/8
.207	.243	.300	.337	.392	.480
.025	.025	.035	.035	.042	.042



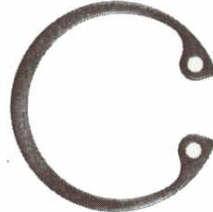
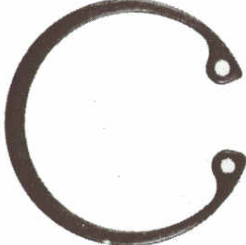

		
3/4	7/8	1"
.574	.668	.822
.50	.50	.50
.50	.50	.50






# GLOBAL

## INTERNAL RETAINING RINGS

					
HOUSING DIAMETER	3/8	7/16	1/2	5/8	3/4
RING DIAMETER	.415	.482	.548	.694	.831
RING THICKNESS	.025	.025	.035	.035	.035







				
7/8	1"	1-1/16	1-1/4	1-3/8
.971	1.081	1.150	1.351	1.486
.042	.042	.050	.050	.050





		
1-1/2	1-3/4	2"
1.660	1.942	2.210
.050	.062	.062




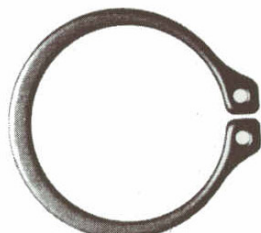






# GLOBAL

## EXTERNAL RETAINING RINGS

						
SHAFT DIAMETER	1/4	5/16	3/8	7/16	1/2	5/8
RING DIAMETER	.225	.281	.338	.395	.461	.579
RING THICKNESS	.025	.025	.025	.025	.035	.035

			
11/16	3/4	25/32	13/16
.635	.693	.722	.751
.042	.042	.042	.042

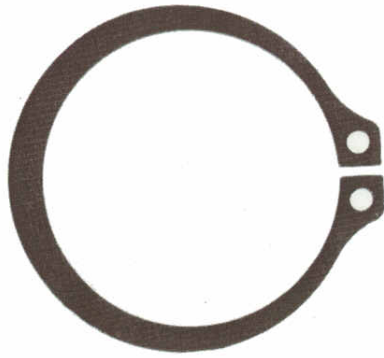
			
7/8	1"	1-1/8	1-3/16
.810	.925	1.041	1.098
.042	.042	.050	.050

			
1-1/4	1-3/8	1-1/2	1-5/8
1.156	1.272	1.382	1.503
.050	.050	.050	.062

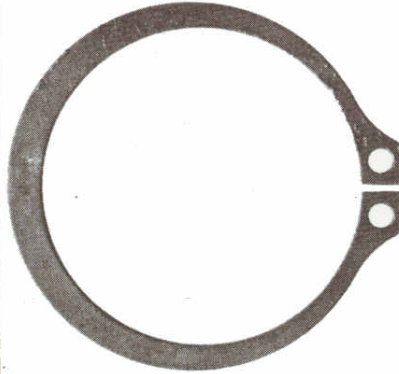


# GLOBAL

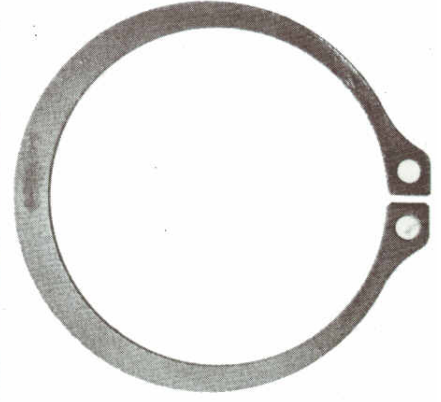
## EXTERNAL RETAINING RINGS



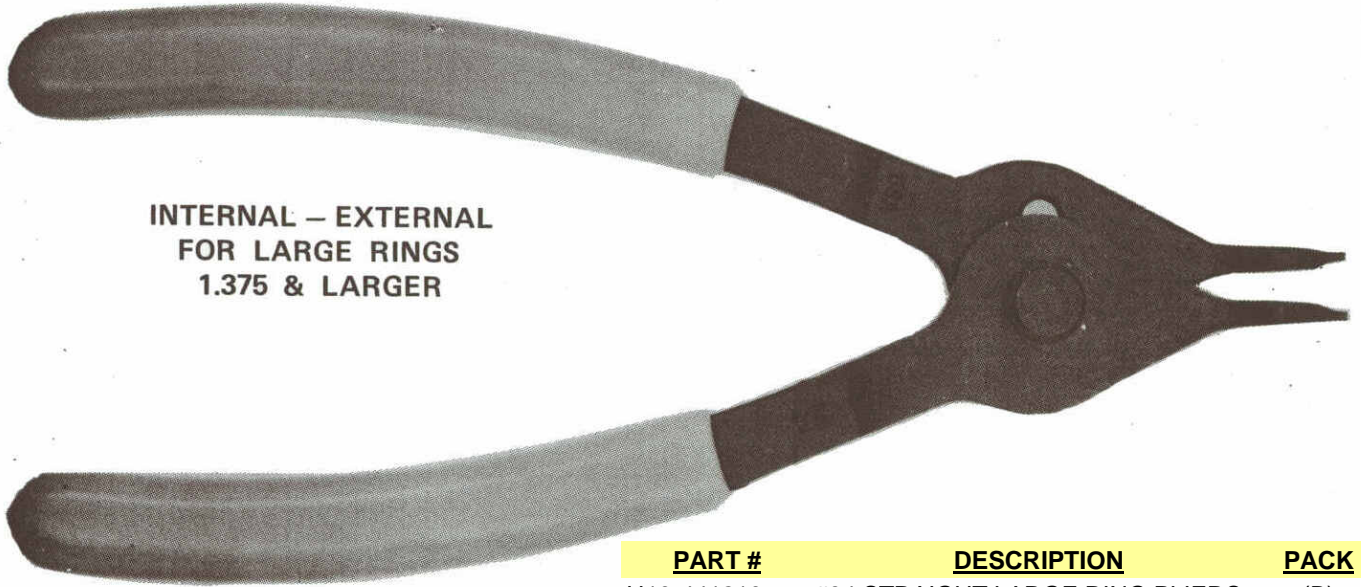
SHAFT DIAMETER 1.3/4



1-7/8

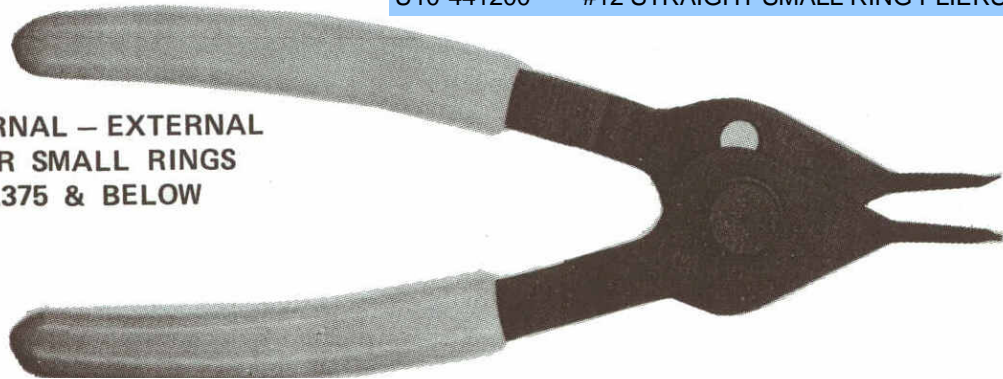


2"



INTERNAL – EXTERNAL  
FOR LARGE RINGS  
1.375 & LARGER

PART #	DESCRIPTION	PACK
U10-441210	#34 STRAIGHT LARGE RING PLIERS	(B)
U10-441200	#12 STRAIGHT SMALL RING PLIERS	(B)



INTERNAL – EXTERNAL  
FOR SMALL RINGS  
1.375 & BELOW



**GLOBAL INDUSTRIAL PRODUCTS**

# GLOBAL RETAINING RINGS

## E-TYPE

PART #	DESCRIPTION	PACK
U10-341302	1/8 "E" TYPE RETAIN RING IM	(BAA)
U10-341304	5/32 "E" TYPE RETAIN RING IM	(BAA)
U10-341306	3/16 "E" TYPE RETAIN RING IM	(BAA)
U10-341308	7/32 "E" TYPE RETAIN RING IM	(BAA)
U10-341310	1/4 "E" TYPE RETAIN RING IM	(BAA)
U10-341312	5/16 "E" TYPE RETAIN RING IM	(BAA)
U10-341314	3/8 "E" TYPE RETAIN RING IM	(BAA)
U10-341316	7/16 "E" TYPE RETAIN RING IM	(BAA)
U10-341318	1/2 "E" TYPE RETAIN RING IM	(BAA)
U10-341320	5/8 "E" TYPE RETAIN RING IM	(BAA)
U10-341322	3/4 "E" TYPE RETAIN RING IM	(FA)
U10-341324	7/8 "E" TYPE RETAIN RING IM	(FA)
U10-341326	1" "E" TYPE RETAIN RING IM	(FA)

## INTERNAL

PART #	DESCRIPTION	PACK
U10-341328	3/8 INTERNAL RETAIN RING IM	(BAA)
U10-341330	7/16 INTERNAL RETAIN RING IM	(BAA)
U10-341332	1/2 INTERNAL RETAIN RING IM	(BAA)
U10-341334	9/16 INTERNAL RETAIN RING IM	(BAA)
U10-341336	5/8 INTERNAL RETAIN RING IM	(BAA)
U10-341340	11/16 INTERNAL RETAIN RING IM	(BAA)
U10-341342	3/4 INTERNAL RETAIN RING IM	(BAA)
U10-341344	13/16 INTERNAL RETAIN RING IM	(BAA)
U10-341346	7/8 INTERNAL RETAIN RING IM	(BAA)
U10-341350	15/16 INTERNAL RETAIN RING IM	(BAA)
U10-341352	1" INTERNAL RETAIN RING IM	(FA)
U10-341354	1-1/16 INTERNAL RETAIN RING IM	(FA)
U10-341356	1-1/8 INTERNAL RETAIN RING IM	(FA)
U10-341360	1-3/16 INTERNAL RETAIN RING IM	(FA)
U10-341362	1-1/4 INTERNAL RETAIN RING IM	(FA)
U10-341364	1-5/16 INTERNAL RETAIN RING IM	(FA)
U10-341366	1-3/8 INTERNAL RETAIN RING IM	(FA)
U10-341368	1-7/16 INTERNAL RETAIN RING IM	(FA)
U10-341370	1-1/2 INTERNAL RETAIN RING IM	(FA)
U10-341374	1-9/16 INTERNAL RETAIN RING IM	(FA)
U10-341376	1-5/8 INTERNAL RETAIN RING IM	(CF)
U10-341378	1-3/4 INTERNAL RETAIN RING IM	(CF)
U10-341380	1-7/8 INTERNAL RETAIN RING IM	(CF)
U10-341382	2" INTERNAL RETAIN RING IM	(CF)

## EXTERNAL

PART #	DESCRIPTION	PACK
U10-341250	1/4 EXTERNAL RETAIN RING IM	(BAA)
U10-341252	5/16 EXTERNAL RETAIN RING IM	(BAA)
U10-341254	3/8 EXTERNAL RETAIN RING IM	(BAA)
U10-341256	7/16 EXTERNAL RETAIN RING IM	(BAA)
U10-341258	1/2 EXTERNAL RETAIN RING IM	(BAA)
U10-341260	9/16 EXTERNAL RETAIN RING IM	(BAA)
U10-341262	5/8 EXTERNAL RETAIN RING IM	(BAA)
U10-341264	11/16 EXTERNAL RETAIN RING IM	(BAA)
U10-341266	3/4 EXTERNAL RETAIN RING IM	(BAA)
U10-341268	25/32 EXTERNAL RETAIN RING IM	(BAA)
U10-341272	13/16 EXTERNAL RETAIN RING IM	(BAA)
U10-341276	7/8 EXTERNAL RETAIN RING IM	(FA)
U10-341278	15/16 EXTERNAL RETAIN RING IM	(FA)
U10-341280	1" EXTERNAL RETAIN RING IM	(FA)
U10-341282	1-1/8 EXTERNAL RETAIN RING IM	(FA)
U10-341284	1-3/16 EXTERNAL RETAIN RING IM	(FA)
U10-341286	1-1/4 EXTERNAL RETAIN RING IM	(FA)
U10-341288	1-5/16 EXTERNAL RETAIN RING IM	(FA)
U10-341290	1-3/8 EXTERNAL RETAIN RING IM	(FA)
U10-341292	1-1/2 EXTERNAL RETAIN RING IM	(FA)
U10-341294	1-5/8 EXTERNAL RETAIN RING IM	(CF)
U10-341296	1-3/4 EXTERNAL RETAIN RING IM	(CF)
U10-341298	1-7/8 EXTERNAL RETAIN RING IM	(CF)
U10-341300	2" EXTERNAL RETAIN RING IM	(CF)

## TOOLS

PART #	DESCRIPTION	PACK
U10-441200	#12 STRAIGHT SMALL RING PLIERS	(B)
U10-441210	#34 STRAIGHT LARGE RING PLIERS	(B)

**ASSORTMENT: A01-590310**

